



# RT45

R I D E - O N T R E N C H E R



Ditch Witch<sup>®</sup>

# RT45

The Ditch Witch® RT45 is your go-to trencher for 4- to 5-foot trenches. With its high-torque digging chain motor and Tier 4 engine, the RT45 has plenty of power to muscle through the earth—with your choice of compatible attachments—and plenty of comfort in its spacious operator's station. It's no wonder the RT45 has been rental's most in-demand trencher for the last 50 years.

Operator presence system stops the engine when the operator leaves the seat for greater safety.

1

User-friendly operator's station with color-coded speed/direction and attachment controls; backfill blade controlled by a sensitive joystick.

2

Exhaust system is mounted under a composite hood with a horizontal exhaust pipe, diverting noise and hot air away from the operator.

3

Advanced air-filtration system designed to improve engine performance; air filter elements are easy to access and replace.

4

Tier 4, 49-hp (36.5-kW) Deutz® diesel engine is designed for minimal maintenance and maximum operator productivity.

5

Engine service points are easily accessible from one side, simplifying maintenance.

6

Direct-coupled, high-torque digging chain motor designed for increased production and reliability.

8

Easy-to-use foot pedal that controls infinitely variable ground drive in both forward and reverse.

7



# RT45

ATTACHMENTS



## H314 TRENCHER

### DIMENSIONS\*

	U.S.	METRIC
Angle of departure	35°	
Trench depth, max	52 in	1.3 m
Trench width, min to max		
Center	6-12 in	150-305 mm
Offset	6-8 in	150-200 mm
Attachment weight	570 lb	260 kg

\* Dimensions are based on shortest roller boom, 26 x 12-12 standard tire and wheel, and 12-in (305-mm) pivot.



## H331 VIBRATORY PLOW

### DIMENSIONS

	U.S.	METRIC
Angle of departure	22°	
Cover depth, feed blade, max	24 in	610 mm
Transport length, plow w/blade	169 in	4.3 m

Offers both feed and pull blades. Maximum cover depth (feed blade) of 24 in (610 mm).



## H342 SAW

### DIMENSIONS

Angle of departure	14°	
Trench depth, max	18 in	455 mm
Overall length, transport	162 in	4.1 m
Number of teeth on saw wheel	36	
Attachment weight		
2.5-in (65-mm) segments	1,550 lb	700 kg
3.5-in (90-mm) segments	1,610 lb	730 kg
5-in (130-mm) segments	1,660 lb	755 kg



## H350 TRENCHER/PLOW COMBO

### DIMENSIONS\*

Angle of departure	33°	
Trench depth, max	42 in	1.1 m
Trench width, min to max	6-8 in	150-200 mm

### PLOW DIMENSIONS

Angle of departure, transport, 18-in (457-mm) blade	26°	
Cover depth	24 in	610 mm

### GENERAL

Attachment weight, w/out augers, boom, chain, and plow blade	1,500 lb	680 kg
--	----------	--------

\* Dimensions are based on shortest roller boom, 26 x 12-12 standard tire and wheel, and 12-in (305-mm) pivot.



## A323 BACKHOE

### DIMENSIONS

Backhoe length, stowed	60 in	1.5 m
Digging depth, max	72 in	1.8 m
Reach from swing pivot	102 in	2.6 m

### GENERAL

Bucket width	12 in	305 mm
Bucket capacity	1.1 ft³	0.03 m³
Backhoe weight w/bucket	1,125 lb	511 kg
Swing arc	160°	

Features a remote blade lift and throttle. Maximum digging depth of 72 in (1.83 m).



## H313 TRENCHER

### DIMENSIONS\*

Angle of departure	17°	
Trench depth, max	63 in	1.6 m
Trench width, min to max	6-12 in	150-305 mm
Attachment weight	610 lb	277 kg

\* Dimensions are based on shortest roller boom, 26 x 12-12 standard tire and wheel and 12-in (305-mm) pivot.



## MT12 MICROTRENCHER

### DIMENSIONS, W/31 X 10 SOLID TIRES

Angle of departure	19°	
Trench depth 1-ft (25.4-mm) increments	6.5-12.5 in	165-318 mm
Blade diameter	34 in	864 mm
Trench width	0.50-1.5 in	13-38 mm
Attachment weight (includes mount kit)	1,400 lb	636 kg

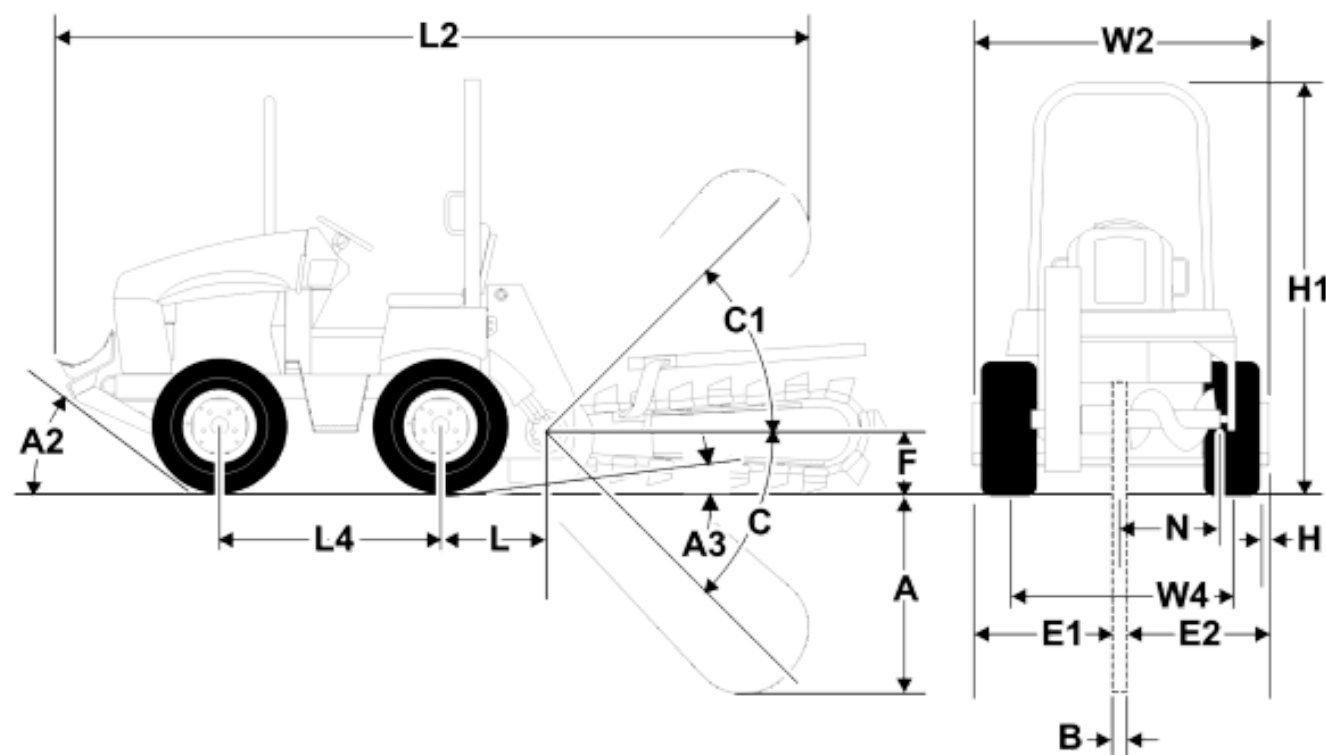
# RT45 RIDE-ON TRENCHER SPECIFICATIONS

DIMENSIONS*	U.S.	METRIC
Height (H1)	86 in	2.18 m
Length, transport (L2)	155 in	3.9 m
Width, transport (W2)	64 in	1.6 m
Basic unit weight	3,240 lb	1470 kg
Wheelbase (L4)	48 in	1.22 m
Spoil discharge reach, min to max (N)	17-20 in	435-510 mm
Tread (W4)	46 in	1.17 m
Ground clearance, min (standard tire)	7 in	180 mm
Ground clearance, min (optional tire)	8.5 in	215 mm

POWER (TIER 4)	U.S.	METRIC
Engine	Deutz® D2.9 L4	
Fuel	Diesel	
Cooling medium	Water	
Injection	Direct	
Aspiration	Natural	
Number of cylinders	4	
Displacement	177 in³	2.9 L
Bore	3.6 in	92 mm
Stroke	4.3 in	110 mm
Manufacturer's gross power rating	48.8 hp	36.4 kW
Rated speed	2,600 rpm	
Emissions compliance	EPA Tier 4	EU Stage IIIA

POWER (TIER 4I)	U.S.	METRIC
Engine	Deutz D2011L3i	
Fuel	Diesel	
Cooling medium	Oil	
Injection	Direct	
Aspiration	Natural	
Number of cylinders	3	
Displacement	142 in³	2.3 L
Bore	3.7 in	94 mm
Stroke	4.4 in	112 mm
Manufacturer's gross power rating	42.2 hp	31.5 kW
Rated speed	2,300 rpm	
Emissions compliance	EPA Tier 4i	EU Stage IIIA

POWER TRAIN	U.S.	METRIC
Ground drive transmission	Hydrostatic drive, infinitely variable from zero to maximum, foot-pedal and hand-lever operated speed/direction control	
Differentials	Dana Model 44, limited slip; Dana Model 60, limited slip	
Parking brake	Disc, hand-operated	
Service brake	Ground drive speed/direction control brakes machine hydraulically when moved to neutral position	
Attachment drive transmission	Hydrostatic, lever operated, speed infinitely variable from zero to maximum forward with limited stroke reverse	
Trencher drive transmission	Hydrostatic	



OPERATION	U.S.	METRIC
Forward speed, max	4.7 mph	7.6 km/h
Reverse speed, max	2.7 mph	4.4 km/h
Vehicle clearance circle		
Front steer only	28 ft	8.5 m
Coordinated steer	20 ft	6.1 m
Digging chain speed, max (2,600 rpm engine speed)	460 fpm	140 m/min
Operating weight**	5,375 lb	2438 kg
Headshaft speed, max (2,600 rpm engine speed)	233 rpm	

## HYDRAULIC SYSTEM @ 2,600 RPM (TIER 4)

Ground drive pump capacity	31.5 gpm	119 l/min
Ground drive pump relief pressure	3,650 psi	252 bar
Attachment drive		
Trencher	5,000 psi	345 bar
Plow/saw	3,750 psi	259 bar
Attachment pump capacity	31.5 gpm	119 l/min
Auxiliary pump capacity	11.5 gpm	44 l/min
Auxiliary pump relief pressure	2,100 psi	145 bar

## HYDRAULIC SYSTEM @ 2,300 RPM (TIER 4I)

Ground drive pump capacity	29.3 gpm	111 l/min
Ground drive pump relief pressure	3,750 psi	258 bar
Attachment drive		
Trencher	5,000 psi	345 bar
Plow/saw	3,750 psi	259 bar
Attachment pump capacity	29.3 gpm	111 l/min
Auxiliary pump capacity	10.2 gpm	39 l/min
Auxiliary pump relief pressure	2,500 psi	172 bar

FLUID CAPACITIES	U.S.	METRIC
Fuel tank	13 gal	49 L
Engine oil	6.4 qt	6.1 L
Hydraulic system	13 gal	49 L
Hydraulic reservoir	9.5 gal	36 L
Coolant	3 gal	11 L

## BACKFILL BLADE

Blade width	64 in	1.6 m
Blade height	14 in	355 mm
Lift height, above ground	12 in	300 mm
Blade drop, below ground	8 in	200 mm
Swing angle, max		
Left/right	28°	
Tilt angle		
Up/down	11°	

## TIRES/PRESSURE

26 x 12-12, 4-ply bar lug	1,780 lb @ 20 psi	807 kg @ 1.40 bar
29 x 12.50-15, 8-ply bar lug (optional)	2,150 lb @ 30 psi	975 kg @ 2.07 bar

## NOISE LEVEL

Operator	96 dBA sound pressure per ISO 6394
Exterior	108 dBA sound power per ISO 6393

## BATTERY

Group	26/26R/70
SAE reserve capacity rating	165 min
Cold crank rating @ 0°F (-18°C)	850 amps
Auxiliary power outlet	12V, 5 amps

\* Dimensions are based on H313 attachment and shortest roller boom length, 26 x 12-12 standard tire and wheel, and 12-inch pivot.  
 \*\* Operating weight based on H313 attachment, longest roller boom, heaviest chain, 175-lb operator, and 26 x 12-12 tires.

Specifications are general and subject to change without notice. If exact measurements are required, equipment should be weighed and measured. Due to selected options, delivered equipment may not necessarily match that shown.





## PARTS , ACCESSORIES AND SUPPORT :



### DIGGING SYSTEMS

Replacing worn digging system components is essential to maintaining maximum productivity from your trencher. See your dealer for genuine Ditch Witch chain, specially manufactured headshaft sprockets and digging teeth, which are designed to work together as a system to provide unparalleled trenching performance.



### PARTS

Tires, O-ring kits, decals, paint, filters, hydraulic cylinder kits, belts, and many other accessories and replacement parts are available at your local Ditch Witch dealership, where you'll also find expert advice that comes from years of experience in the underground construction industry.



### SERVICE

Your Ditch Witch dealership offers professional service technicians who are extensively trained in every aspect of Ditch Witch equipment maintenance and repair. Ask a service representative about our Orange Armor® Planned Maintenance program, a schedule of maintenance at factory-suggested intervals that keeps your equipment in peak operating condition.

