



35G SPECIFICATIONS

While general information, pictures, and descriptions are provided, some illustrations and text may include product options and accessories NOT AVAILABLE in all regions, and in some countries products and accessories may require modifications or additions to ensure compliance with the local regulations of those countries.

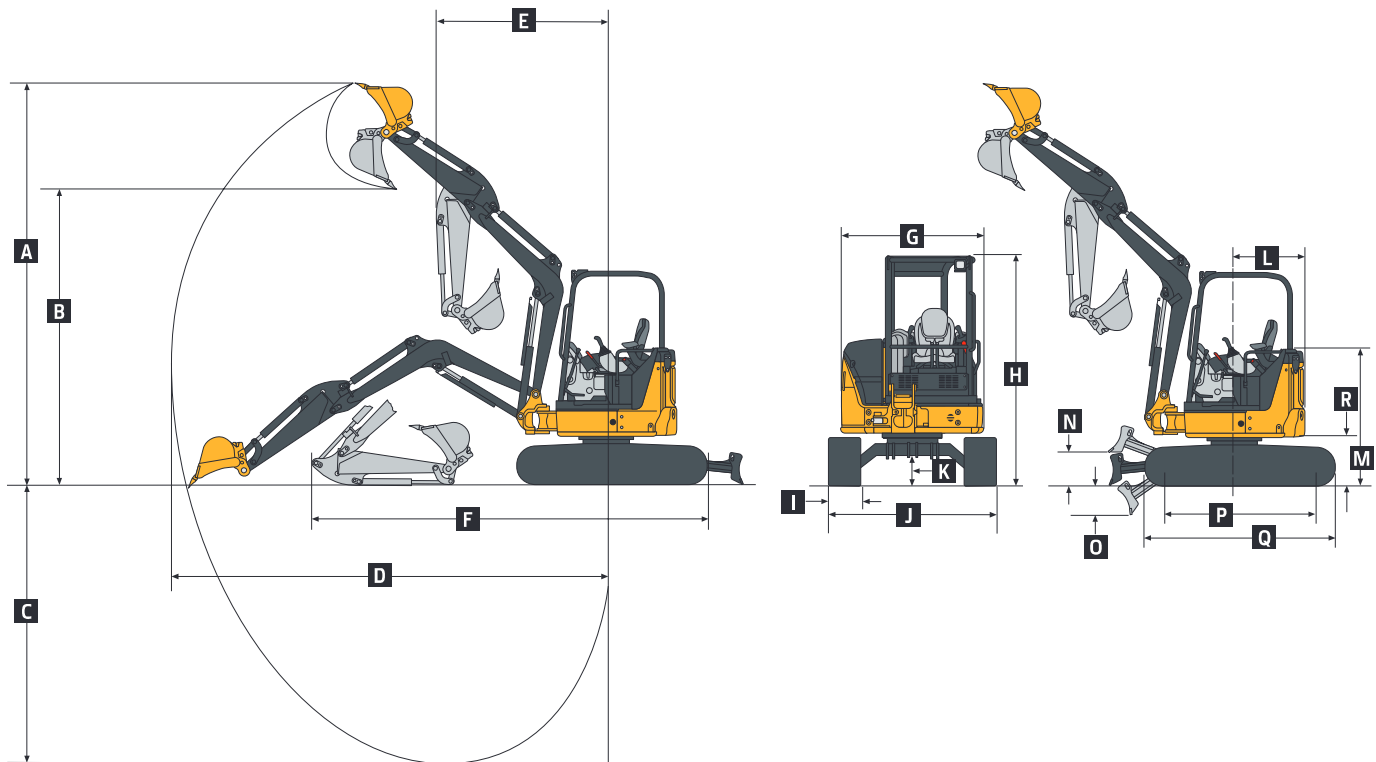
| Engine | | 35G | | | |
|---|---|--|--|---|--|
| Manufacturer and Model | Yanmar 3TNV88F | | | | |
| Non-Road Emission Standard | EPA Final Tier 4/EU Stage IV | | | | |
| Displacement | 1,642 L (100.2 cu. in.) | | | | |
| Net Power (ISO 9249) | 17.4 kW (23.3 hp) at 2,400 rpm | | | | |
| Powertrain | | | | | |
| Each track independently driven by hydrostatic axial-piston motor connected to 2-stage planetary gear-reduction box | | | | | |
| Maximum Travel Speed | | | | | |
| Low | 2.8 km/h (1.7 mph) | | | | |
| High | 4.3 km/h (2.7 mph) | | | | |
| Hydraulics | | | | | |
| Open center with 2 variable-displacement pumps and 1 fixed-gear pump | | | | | |
| Pump Flow | | | | | |
| Piston | 2 x 38.4 L/m (2 x 10.1 gpm) | | | | |
| Gear | 22.8 L/m (6.0 gpm) | | | | |
| Auxiliary Flow | 61.2 L/m (16.2 gpm) | | | | |
| Controls | 2 hydraulic pilot-operated controls for boom, arm, bucket, swing, boom swing, travel, and auxiliary functions | | | | |
| Electrical | | | | | |
| Alternator Rating | 55 amp | | | | |
| Work Lights | 2 halogen: 1 mounted on operator's station and 1 mounted on boom | | | | |
| Undercarriage | | | | | |
| Track, Rubber | 300 mm (12 in.) | | | | |
| Ground Pressure | | | | | |
| | <i>1315-mm (4 ft. 4 in.)</i> | <i>1315-mm (4 ft. 4 in.)</i> | <i>1715-mm (5 ft. 8 in.)</i> | <i>1715-mm (5 ft. 8 in.)</i> | |
| | <i>Standard Arm, Canopy, and Standard Counterweight</i> | <i>Standard Arm, Cab, and Standard Counterweight</i> | <i>Long Arm, Canopy, and Extra Counterweight</i> | <i>Long Arm, Cab, and Extra Counterweight</i> | |
| With Rubber Track | 32.0 kPa (4.6 psi) | 33.0 kPa (4.8 psi) | 33.7 kPa (4.9 psi) | 35.2 kPa (5.1 psi) | |
| Upperstructure | | | | | |
| Swing Speed | 9.0 rpm | | | | |
| Independent Swing Boom | | | | | |
| Left | 72 deg. | 62 deg. | | | |
| Right | 62 deg. | 62 deg. | | | |
| Swing Brake | Spring applied, hydraulically released, automatic, disc type | | | | |
| Serviceability | | | | | |
| Refill Capacities | | | | | |
| Fuel Tank | 42 L (11.1 gal.) | | | | |
| Cooling System | 5.0 L (5.3 qt.) | | | | |
| Engine Oil With Filter | 7.2 L (7.6 qt.) | | | | |
| Hydraulic Tank | 32 L (8.5 gal.) | | | | |
| Operating Weights | | | | | |
| | <i>1315-mm (4 ft. 4 in.)</i> | <i>1315-mm (4 ft. 4 in.)</i> | <i>1715-mm (5 ft. 8 in.)</i> | <i>1715-mm (5 ft. 8 in.)</i> | |
| | <i>Standard Arm, Canopy, and Standard Counterweight</i> | <i>Standard Arm, Cab, and Standard Counterweight</i> | <i>Long Arm, Canopy, and Extra Counterweight</i> | <i>Long Arm, Cab, and Extra Counterweight</i> | |
| With Full Fuel Tank and 79-kg (175 lb.) Operator | 3520 kg (7,760 lb.) | 3690 kg (8,135 lb.) | 3783 kg (8,340 lb.) | 3953 kg (8,715 lb.) | |
| Optional Angle Blade | 296 kg (653 lb.) | 296 kg (653 lb.) | 296 kg (653 lb.) | 296 kg (653 lb.) | |
| Counterweight | | | | | |
| Standard | 540 kg (1,190 lb.) | 540 kg (1,190 lb.) | 540 kg (1,190 lb.) | 540 kg (1,190 lb.) | |
| Additional | 240 kg (529 lb.) | 240 kg (529 lb.) | 240 kg (529 lb.) | 240 kg (529 lb.) | |

35G SPECIFICATIONS



While general information, pictures, and descriptions are provided, some illustrations and text may include product options and accessories NOT AVAILABLE in all regions, and in some countries products and accessories may require modifications or additions to ensure compliance with the local regulations of those countries.

| Operating Dimensions | 35G | | | |
|-------------------------------------|--|---|--|---|
| | 1315-mm (4 ft. 4 in.) Standard Arm and Canopy | 1315-mm (4 ft. 4 in.) Standard Arm and Cab | 1715-mm (5 ft. 8 in.) Long Arm and Canopy | 1715-mm (5 ft. 8 in.) Long Arm and Cab |
| A Maximum Cutting Height | 4.87 m (16 ft. 0 in.) | 4.70 m (15 ft. 5 in.) | 4.95 m (16 ft. 3 in.) | 4.74 m (15 ft. 7 in.) |
| B Maximum Dumping Height | 3.46 m (11 ft. 4 in.) | 3.31 m (10 ft. 10 in.) | 3.57 m (11 ft. 9 in.) | 3.39 m (11 ft. 1 in.) |
| C Maximum Digging Depth | 3.06 m (10 ft. 0 in.) | 3.06 m (10 ft. 0 in.) | 3.46 m (11 ft. 4 in.) | 3.46 m (11 ft. 4 in.) |
| D Maximum Digging Reach | 5.21 m (17 ft. 1 in.) | 5.21 m (17 ft. 1 in.) | 5.52 m (18 ft. 1 in.) | 5.52 m (18 ft. 1 in.) |
| E Minimum Front Swing Radius | 2.08 m (6 ft. 10 in.) | 2.24 m (7 ft. 4 in.) | 2.19 m (7 ft. 2 in.) | 2.30 m (7 ft. 7 in.) |
| F Transport Length | 4.64 m (15 ft. 3 in.) | 4.64 m (15 ft. 3 in.) | 4.75 m (15 ft. 7 in.) | 4.75 m (15 ft. 7 in.) |
| Digging Force (ISO) | | | | |
| Arm | 19.0 kN (4,277 lb.) | 19.0 kN (4,277 lb.) | 16.9 kN (3,792 lb.) | 16.9 kN (3,792 lb.) |
| Bucket | 27.1 kN (6,085 lb.) | 27.1 kN (6,085 lb.) | 27.1 kN (6,085 lb.) | 27.1 kN (6,085 lb.) |



| Machine Dimensions | | | |
|---------------------------------------|----------------------|--|-----------------------|
| G Upperstructure Width | 1.55 m (5 ft. 1 in.) | M Engine Cover Height | 1.53 m (5 ft. 0 in.) |
| H Overall Height | | N Maximum Blade Lift Above Ground | 360 mm (14.2 in.) |
| Canopy | 2.48 m (8 ft. 2 in.) | O Maximum Blade Drop Below Ground | 400 mm (15.7 in.) |
| Cab | 2.48 m (8 ft. 2 in.) | Blade | |
| I Track Width | 300 mm (12 in.) | Width | 1.74 m (5 ft. 9 in.) |
| J Undercarriage Width | 1.74 m (5 ft. 9 in.) | Height | 373 mm (14.7 in.) |
| K Ground Clearance | 280 mm (11 in.) | P Sprocket Center to Idler Center | 1.66 m (5 ft. 5 in.) |
| L Tail Swing Radius | | Q Undercarriage Length | 2.11 m (6 ft. 11 in.) |
| With Standard Arm | 870 mm (34 in.) | R Counterweight Clearance | 550 mm (22 in.) |
| With Long Arm and Extra Counterweight | 980 mm (39 in.) | | |

| Lift Capacities | | | | | | | | |
|---|-----------------------------------|--------------------|--------------------------------|--------------------|--------------------------------|--------------------|-----------------------------|--------------------|
| | Canopy and Standard Counterweight | | Cab and Standard Counterweight | | Canopy and Extra Counterweight | | Cab and Extra Counterweight | |
| | Over Front | Over Side | Over Front | Over Side | Over Front | Over Side | Over Front | Over Side |
| Ground Level at 3.05-m (10 ft.) Radius | | | | | | | | |
| 1315-mm (4 ft. 4 in.) Standard Arm | 1568 kg (3,453 lb.) | 641 kg (1,412 lb.) | 1568 kg (3,453 lb.) | 684 kg (1,506 lb.) | 1568 kg (3,453 lb.) | 765 kg (1,686 lb.) | 1568 kg (3,453 lb.) | 808 kg (1,780 lb.) |
| 1715-mm (5 ft. 8 in.) Long Arm | 1501 kg (3,307 lb.) | 630 kg (1,388 lb.) | 1501 kg (3,307 lb.) | 672 kg (1,481 lb.) | 1501 kg (3,307 lb.) | 755 kg (1,662 lb.) | 1501 kg (3,307 lb.) | 797 kg (1,756 lb.) |

Boldface type indicates hydraulically limited capacity; lightface type indicates stability-limited capacities, in kg (lb.). All lift capacities are based on ISO 10567 (with power boost). Lifting measurement from center of arm to bucket pin; with 400-mm (16 in.) track shoe and blade on ground; and situated on firm, level, uniform supporting surface. Total load includes weight of cables, hook, etc. Figures do not exceed 87 percent of hydraulic capacities or 75 percent of weight needed to tip machine.